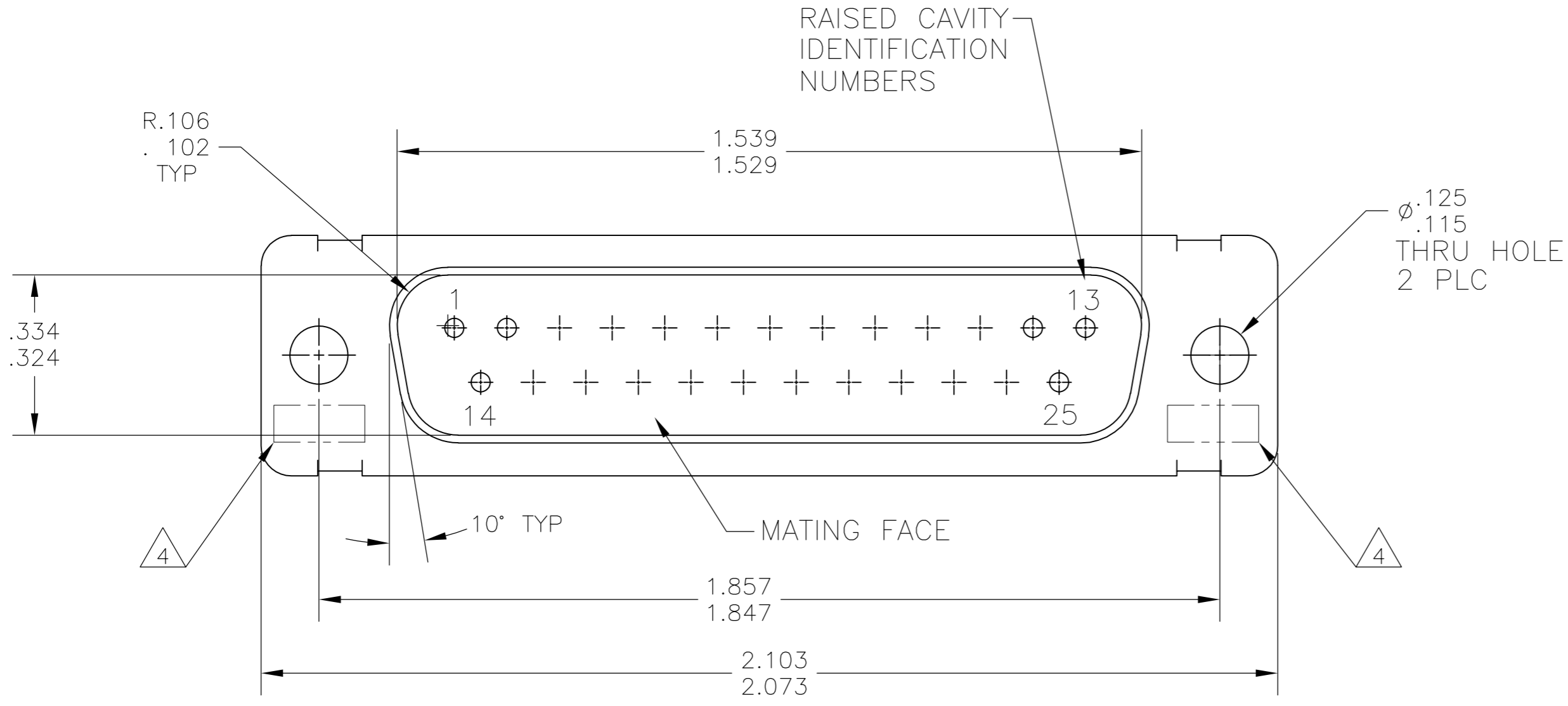
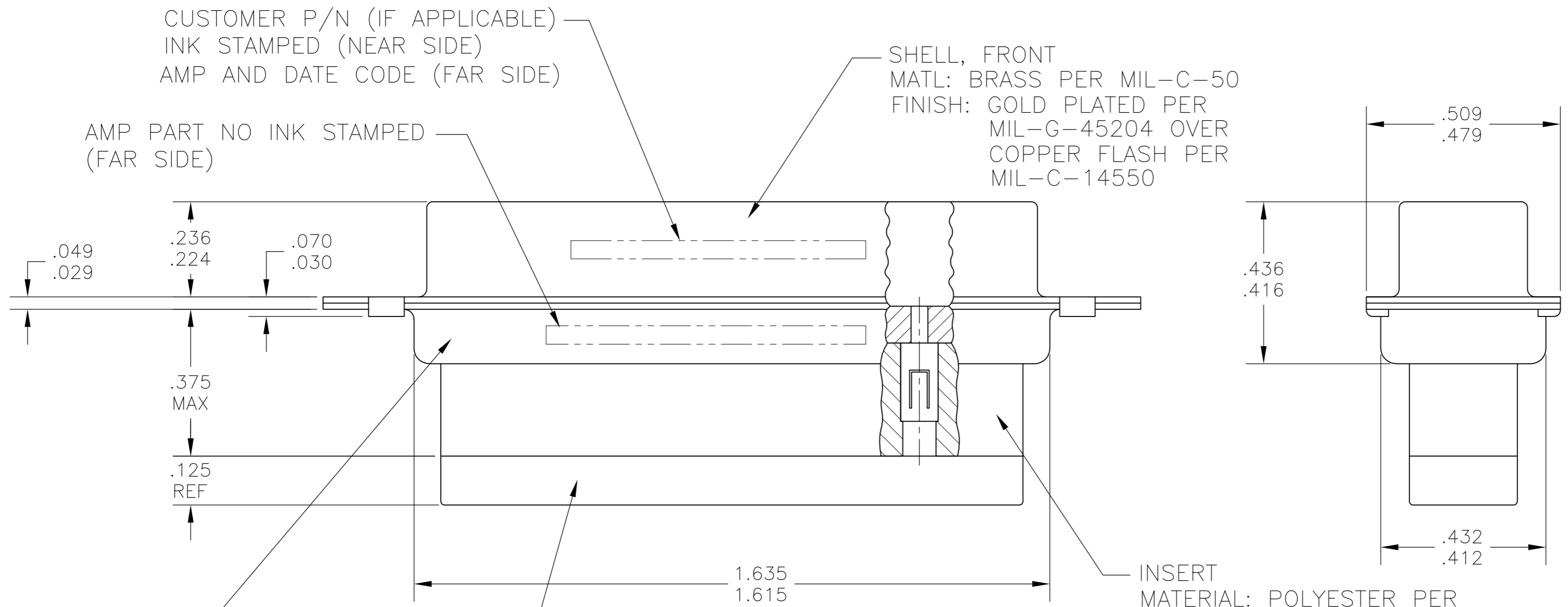


THIS DRAWING IS UNPUBLISHED. RELEASED FOR PUBLICATION  
 © COPYRIGHT BY TYCO ELECTRONICS CORPORATION. ALL RIGHTS RESERVED.

LOC	DIST	REVISIONS					
DF	D5	P	LTR	DESCRIPTION	DATE	DWN	APVD
		E		REV PER ECO-07-015534	16JUL07	PY	DM



1. THIS PLUG WILL MATE WITH ANY SIZE 3, 25 POSN RECEPTACLE IN AMPLIMITE SERIES 109 AND ACCEPTS SIZE 20 PIN CONTACTS EXCEPT AS NOTED
  2. MAXIMUM WIRE INSULATION USED WITH THIS PLUG IS .068 DIA MAX
  3. BE-CU RETENTION CLIPS ARE INCLUDED IN INSERTS
- △4 UL/CSA DESIGNATION STAMPED IN THIS AREA  
 △5 OBSOLETE PART NO.



SHELL, REAR  
 MATL: BRASS PER MIL-C-50  
 FINISH: GOLD PLATED PER MIL-G-45204 OVER COPPER FLASH PER MIL-C-14550

GROMMET  
 MATL: SILICONE RUBBER  
 COLOR: RED

MARKED WITH (1A01-028PHW)	1-211640-1
SAME AS -1 EXCEPT NO CUSTOMER P/N INK STAMPED	211640-4
SAME AS -1 EXCEPT WITH TRW P/N INK STAMPED	211640-2 △5
AS SHOWN, WITH HUGHES P/N INK STAMPED	211640-1
DESCRIPTION	PART NO.

THIS DRAWING IS A CONTROLLED DOCUMENT.		DWN P. YEAGER 12JUL07	Tyco Electronics Corporation Tyco Electronics Corporation Harrisburg, PA 17105-3608	
DIMENSIONS: INCHES	TOLERANCES UNLESS OTHERWISE SPECIFIED:	CHK D. MILLER 16JUL07	NAME	
	0 PLC ± -	APVD D. MILLER 16JUL07	PRODUCT SPEC	
	1 PLC ± -		APPLICATION SPEC	
MATERIAL SEE CALLOUTS	FINISH SEE CALLOUTS	WEIGHT -	SIZE A2	CAGE CODE 00779
		CUSTOMER DRAWING	DRAWING NO C=211640	RESTRICTED TO -
		SCALE 4:1	SHEET 1 of 1	REV E